



TELEDYNE INSTRUMENTS
Advanced Pollution Instrumentation
A Teledyne Technologies Company

MODEL **703E**

Photometric Ozone Calibrator



- ▶▶ **Standard two year warranty**
- ▶▶ **Primary or transfer standard for calibration of ozone analyzers**
- ▶▶ **Advanced E Series electronics**
- ▶▶ **Output concentrations from 50 ppb to 5 ppm**
- ▶▶ **Ability to set concentration directly in ppb**
- ▶▶ **Flow adjustable from 1 LPM to 5 LPM**
- ▶▶ **Up to 50 Calibration Sequences**
- ▶▶ **UV Lamp Feedback modes: current control; reference detector control; photometer control**
- ▶▶ **Optional Ethernet Connectivity**
- ▶▶ **Internal pumps**
- ▶▶ **Inlets for External Ozone Reference Sources**
- ▶▶ **Temperature & Pressure compensation**
- ▶▶ **High flow / High Output available**

The Model 703E is a microprocessor controlled ozone calibrator for use as a primary or transfer standard for calibration of Ozone analyzers. The Model 703E can deliver concentrations from 50 ppb to 5 ppm at flows from 1 LPM to 5 LPM.

The calibrator has two major components: the ozone generating device, and the photometer. The ozone generator is a flow controlled zero air supply passing by a UV lamp. Flow rate and lamp intensity are adjusted to deliver a specified ozone concentration by volume. The temperature- and pressure-compensated photometer (identical to the one used in the Model 400E Ozone analyzer) provides feedback control of the UV lamp intensity, assuring stable ozone output.

As many as 50 independent calibration sequences may be programmed into the Model 703E, covering time periods of up to one year. The setup of sequences is simple and intuitive. These sequences may be actuated manually, automatically, or by a remote signal. The sequences may be uploaded remotely, including remote editing! All programs are maintained in non-volatile memory. Model 703E has many other versatile features, including a choice of operation from the manual keyboard, via external contact closure, remotely via RS-232 or Ethernet, or automatically on a timed basis.

The diagnostics capability is the most advanced in the industry. Critical parameters are continually monitored and alarmed when out of range. The Model 703E is versatile, simple to operate and easy to keep operational.

FREE Customer Support by telephone and email for the life of the instrument

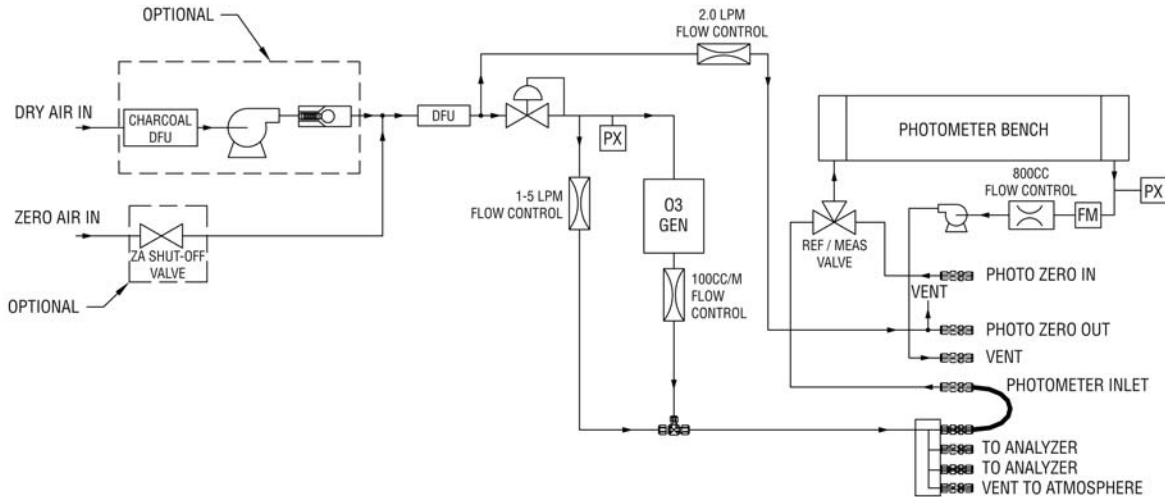


MODEL 703E Photometric Ozone Calibrator

Specifications

| | | | |
|-------------------------------|---------------------------------------|------------------------------|---|
| Ozone Generator | | Linearity: | 1% of reading |
| Flow Rate: | 1 to 5 LPM adjustable | Precision: | 1.0 ppb |
| Maximum Concentration: | 5.0 ppm at 1 LPM | Bench Flow Rate: | 800 cc/min ±10% |
| Minimum Concentration: | 50 ppb at 2 LPM | Operating Temperature Range: | 5 - 40°C |
| Photometer | | Dimensions (HxWxD): | 7" (178 mm) x 17" (432 mm) x 24" (609 mm) |
| Ranges: | 100 ppb to 10 ppm, user selectable | Weight: | 35.1lbs (15.7 kg) |
| Zero Noise: | 0.3 ppb (RMS) | Power: | 100V - 120V, 220V - 240V, 50/60 Hz |
| Span Noise: | < 0.5% of reading above 100 ppb (RMS) | Test Channel Analog: | ± 100 mV 1, 5, 10 volts |
| Lower Detectable Limit (LDL): | 0.6 ppb (RMS) | Digital control outputs: | 12 opto-isolated outputs |
| Zero Drift: | < 1.0 ppb/7 days | Digital control inputs: | 12 opto-isolated inputs |
| Span Drift: | < 1.0%/day, < 2%/7 days | Digital status outputs: | 8 outputs |
| Lag Time: | < 10 seconds | Approvals: | CE |
| Rise and Fall Time: | < 30 seconds to 95% | | |

Schematic



How to Order

Model 703E Photometric Ozone Calibrator includes:

- Standard two year warranty
- Digital status
- Internal pumps for photometer and optional internal zero air
- Dual bi-directional RS-232
- Convenient carrying handle

Specify input AC voltage & frequency:

- 100V - 115V 50Hz
- 220V - 240V 60Hz

Specify output DC voltage:

- 10V 5V 1V 0.1V

Specify zero air configuration:

- Internal zero air pump
- External zero air shut-off valve
- Both of the above

Additional Options:

- Rack mount brackets (19") with chassis slides
- Rack mount brackets only
- Multi-drop RS-232 connection

- High flow output
- Dryer cartridge for internal zero air pump
- Ethernet Port (replaces one serial port)
- LEADS software
- Driver for external valves
- High flow / High output

Accessories:

- Expendables Kit
- Spare Parts Kit
- RS-232 cable

Specifications subject to change without notice. Printed documents are uncontrolled. SAL000025 A (DCN 5058) M703E/08/08/08.



TELEDYNE INSTRUMENTS
Advanced Pollution Instrumentation

A Teledyne Technologies Company

9480 Carroll Park Drive ■ San Diego, CA 92121-5201

Ph. 858-657-9800 Fax 858-657-9816

Email api-sales@teledyne.com

For more information about the Teledyne API family of monitoring instrumentation products, call us or visit our website at

www.teledyne-api.com

