



# **T200U NO<sub>y</sub> ANALYZER**

## **with External Thermal Converter**

### **ADDENDUM**

(for use with T200 User Manual, PN 06858  
and with T200U Addendum, PN 06861)

© TELEDYNE API  
9970 CARROLL CANYON ROAD  
SAN DIEGO, CA 92131-1106  
USA

Toll-free Phone: +1 800-324-5190  
Phone: +1 858-657-9800  
Fax: +1 858-657-9816  
Email: [api-sales@teledyne.com](mailto:api-sales@teledyne.com)  
Website: <http://www.teledyne-api.com/>



# Safety Messages

Important safety messages are provided throughout this manual for the purpose of avoiding personal injury or instrument damage. Please read these messages carefully. Each safety message is associated with a safety alert symbol, and placed throughout this manual and inside the instrument. The symbols with messages are defined as follows:



**WARNING:** Electrical Shock Hazard



**HAZARD:** Strong oxidizer



**GENERAL WARNING/CAUTION:** Read the accompanying message for specific information.



**CAUTION:** Hot Surface Warning



**Do Not Touch:** Touching some parts of the instrument without protection or proper tools could result in damage to the part(s) and/or the instrument.



**Technician Symbol:** All operations marked with this symbol are to be performed by qualified maintenance personnel only.



**Electrical Ground:** This symbol inside the instrument marks the central safety grounding point for the instrument.

## CAUTION



This instrument should only be used for the purpose and in the manner described in this manual. If you use this instrument in a manner other than that for which it was intended, unpredictable behavior could ensue with possible hazardous consequences.

**NEVER use any gas analyzer to sample combustible gas(es)!**

## Note

For Technical Assistance regarding the use and maintenance of this instrument or any other Teledyne API product, contact Teledyne API's Technical Support Department:

Telephone: 800-324-5190

Email: [api-techsupport@teledyne.com](mailto:api-techsupport@teledyne.com)

or access any of the service options on our website at <http://www.teledyne-api.com/>

# Consignes de Sécurité

Des consignes de sécurité importantes sont fournies tout au long du présent manuel dans le but d'éviter des blessures corporelles ou d'endommager les instruments. Veuillez lire attentivement ces consignes. Chaque consigne de sécurité est représentée par un pictogramme d'alerte de sécurité; ces pictogrammes se retrouvent dans ce manuel et à l'intérieur des instruments. Les symboles correspondent aux consignes suivantes:



**AVERTISSEMENT** : Risque de choc électrique



**DANGER** : Oxydant puissant



**AVERTISSEMENT GÉNÉRAL / MISE EN GARDE** : Lire la consigne complémentaire pour des renseignements spécifiques



**MISE EN GARDE** : Surface chaude



**Ne pas toucher** : Toucher à certaines parties de l'instrument sans protection ou sans les outils appropriés pourrait entraîner des dommages aux pièces ou à l'instrument.



**Pictogramme « technicien »** : Toutes les opérations portant ce symbole doivent être effectuées uniquement par du personnel de maintenance qualifié.



**Mise à la terre** : Ce symbole à l'intérieur de l'instrument détermine le point central de la mise à la terre sécuritaire de l'instrument.

## MISE EN GARDE



**Cet instrument doit être utilisé aux fins décrites et de la manière décrite dans ce manuel. Si vous utilisez cet instrument d'une autre manière que celle pour laquelle il a été prévu, l'instrument pourrait se comporter de façon imprévisible et entraîner des conséquences dangereuses.**

**NE JAMAIS** utiliser un analyseur de gaz pour échantillonner des gaz combustibles!

# Warranty

## WARRANTY POLICY (02024J)

Teledyne API (TAPI), a business unit of Teledyne Instruments, Inc., provides that:

Prior to shipment, TAPI equipment is thoroughly inspected and tested. Should equipment failure occur, TAPI assures its customers that prompt service and support will be available. (For the instrument-specific warranty period, please refer to the “Limited Warranty” section in the Terms and Conditions of Sale on our website at the following link: [http://www.teledyne-api.com/terms\\_and\\_conditions.asp](http://www.teledyne-api.com/terms_and_conditions.asp)).

## COVERAGE

After the warranty period and throughout the equipment lifetime, TAPI stands ready to provide on-site or in-plant service at reasonable rates similar to those of other manufacturers in the industry. All maintenance and the first level of field troubleshooting are to be performed by the customer.

## NON-TAPI MANUFACTURED EQUIPMENT

Equipment provided but not manufactured by TAPI is warranted and will be repaired to the extent and according to the current terms and conditions of the respective equipment manufacturer’s warranty.

## PRODUCT RETURN

All units or components returned to Teledyne API should be properly packed for handling and returned freight prepaid to the nearest designated Service Center. After the repair, the equipment will be returned, freight prepaid.

The complete Terms and Conditions of Sale can be reviewed at [http://www.teledyne-api.com/terms\\_and\\_conditions.asp](http://www.teledyne-api.com/terms_and_conditions.asp)

### CAUTION – Avoid Warranty Invalidation



Failure to comply with proper anti-Electro-Static Discharge (ESD) handling and packing instructions and Return Merchandise Authorization (RMA) procedures when returning parts for repair or calibration may void your warranty. For anti-ESD handling and packing instructions please refer to the manual, Fundamentals of ESD, PN 04786, in its “Packing Components for Return to Teledyne API’s Customer Service” section. The manual can be downloaded from our website at <http://www.teledyne-api.com>. [RMA procedures can also be found on our website.](#)

THIS PAGE INTENTIONALLY LEFT BLANK.

# Table of Contents

<b>1 INTRODUCTION .....</b>	<b>7</b>
<b>2 SPECIFICATIONS .....</b>	<b>9</b>
2.1 Specifications .....	9
<b>3 GETTING STARTED.....</b>	<b>11</b>
3.1 Unpacking and Inspection.....	11
3.2 Electrical and Pneumatic Connections.....	12
3.3 Initial Operation .....	16
<b>4 PRINCIPLE OF OPERATION .....</b>	<b>17</b>
<b>5 CALIBRATION AND CAL CHECKS.....</b>	<b>19</b>
5.1 Calibration or Cal Check Procedure .....	20
<b>6 MAINTENANCE .....</b>	<b>23</b>
6.1 Maintenance Schedule .....	23
6.2 Replacing the Sample Particulate Filters .....	24
6.3 Checking Analyzer Flow Rate .....	25
6.4 Replacing the Converter .....	26
6.5 Inspecting Pneumatic Lines .....	27
6.6 Checking for Leaks .....	30
<b>7 TROUBLESHOOTING AND ADJUSTMENTS.....</b>	<b>33</b>
7.1 Operation Verification – Diagnostic Techniques .....	33
7.1.1 Pneumatic System.....	33
7.1.2 Leak Check.....	33
7.1.3 501 NOy Bypass Pump Diagnostic Procedures.....	33
7.1.4 Electrical Fault Isolation .....	34
7.2 Setting the Converter Temperature .....	34

## List of Figures

Figure 1. Rear Panels: T200U NOy Analyzer (top) and 501 NOy Pump Pack (center); NOy Molybdenum Converter Assembly (bottom) .....	14
Figure 2. Rear Panel Pneumatic Connections .....	15
Figure 3. Replacing the Particulate Filter .....	25
Figure 4. NOy Converter Interior Assembly Location .....	26
Figure 5. Pneumatics without Dual Sample Conditioner .....	28
Figure 6. Pneumatics with Dual Sample Conditioner .....	29
Figure 7. Location of O <sub>3</sub> Generator Air Inlet .....	30
Figure 8. Converter Controller Panel .....	34
Figure 9. 501 NOy Electrical Diagram.....	35

## List of Tables

Table 1 Specifications for the External Converter and the 501 NOy Bypass Pump .....	9
Table 2 Manual Zero Calibration Procedure .....	20
Table 3 Enter Expected Span Gas Concentrations Procedure For NO & NOy .....	20
Table 4 Span Calibration Procedure.....	21
Table 5 Preventative Maintenance Calendar .....	23



# 1 INTRODUCTION

The T200U NOy analyzer includes a 501 NOy Pump Pack and an external thermal converter, which are designed to support a NOx analyzer by converting multiple, unstable compounds grouped under the name **NOy**. The converter is mounted externally at the sample inlet to minimize flow time between sample in and converter, thereby optimizing measurement accuracy. The sample is pulled through the converter box by the 501 NOy pump pack and then routed into the analyzer.

The 501 NOy pump pack contains a temperature control unit for the converter and an internal pump. The pump pack pulls ambient air into the converter box via the sample port; the sample port's cross-fitting splits the sample between two paths: one bypasses the heated converter and flows directly into the pump pack via the tubing for NO, while the other path flows through the heated converter assembly first, and then flows into the pump pack via the tubing for the converted NOy. From the pump pack the separate samples flow to the analyzer.

This manual addendum is to be used in conjunction with two additional documents with operation instructions:

- T200 operation manual (part number 06858)
- T200U addendum (part number 06861).

It is recommended that you read/familiarize yourself with all sets of instructions in order to use the analyzer and converter correctly.

THIS PAGE INTENTIONALLY LEFT BLANK.

## 2 SPECIFICATIONS

### 2.1 Specifications

**Table 1 Specifications for the External Converter and the 501 NOy Bypass Pump**

Converter	Remotely mounted molybdenum external Converter with temperature controller in a NEMA – 4 enclosure.
Converter Temperature	315°C ± 7°C with read-out on front panel of bypass pump chassis.
Tube/Electrical Cable Assembly	Up to 50 feet (15 m) maximum length
Power, 501 NOy Bypass Pump Assembly	120V~ 50/60 Hz, 230V~ 50/60 Hz 360 watts
Power, Converter Assembly	120V~ 50/60 Hz, 230V~ 50/60 Hz, 60 watts
Converter Efficiency	>96% for NO <sub>2</sub>
Weight, 501 NOy Bypass Pump Assembly	35 lbs (16 kg)
Weight, Remote Converter with umbilical	42 lbs (19 kg)
501 NOy Bypass Pump Chassis Dimensions HxWxD	9" x 17" x 23.6" (23cm x 43cm x 61cm)
Remote Converter Assy Dimensions HxWxD	12" x 19" x 7" (31cm x 48cm x 18cm)
Environmental	Installation Category (Over-voltage Category) II Pollution Degree 2
Bypass Flow rate	800 cc/min ± 10%, each channel
Cal gas Flow rate	4000 cc/min (approx.)

THIS PAGE INTENTIONALLY LEFT BLANK.

## 3 GETTING STARTED

The NOy converter has been designed to operate with the T200U low level NOx analyzer, with some additional modifications. The combination is referred to as the T200U NOy analyzer.

### 3.1 Unpacking and Inspection

**CAUTION!**

Avoid personal injury: use two persons each to lift and carry the analyzer and the Model 501 NOy Pump Pack chassis.

The T200U NOy, comprised of four components, comes in three boxes:



- The analyzer with AC power cord
  - The 501 NOy Bypass Pump Chassis 501 with AC power cord
  - External Converter housed in a stainless steel NEMA 4 enclosure, and an umbilical cable assembly (herein referred to as “Converter” or “external Converter”)
  - External Pump (herein referred to as “external Pump” not to be confused with the 501 NOy Bypass Pump or Pump Pack)
1. Verify that there is no apparent shipping damage. If damage has occurred please advise shipper first, then TAPI. (Keep original container and packaging for shipper’s inspection).
  2. Follow the unpacking instructions in the T200 Manual.
  3. Please check the voltage and frequency label on the rear panel of the instrument for compatibility with the local power before connecting the instruments to a power source.

## 3.2 Electrical and Pneumatic Connections

### NOTE

**To maintain compliance with EMC standards, it is required that the cable length (at the rear of the analyzer) be no greater than 3 meters for all I/O connections, which include Analog In, Analog Out, Status Out, Control In, Ethernet/LAN, USB, RS-232, and RS-485.**

1. Ensure that the location allows sufficient space to disconnect the AC power cable from the rear of the unit.
2. Mount the Converter (Figure 1, bottom) on a suitable mast that is grounded.

	<b>IMPORTANT</b>
	The metal NEMA box must be secured by its four mounting holes to a grounded structure, using a grade of metal fasteners, including locking washers and/or nuts, that are resistant to both corrosion and vibration.
	<b>ADHERE TO NATIONAL ELECTRIC CODE (NEC)</b>
	The umbilical cable assembly installation must follow local and national electrical code standards.

3. Uncoil and arrange the TAPI-provided umbilical cable assembly to avoid twisting or kinks, while protecting both ends of the exposed tubing and electrical fittings to prevent scuffing or any dirt and debris from entering.
4. Route the umbilical cable assembly into the instruments' shelter.
5. Locate the analyzer and the 501 NOy Bypass Pump Chassis in close proximity to each other, preferably mounting one over the other in a 19" rack.
6. Connect the T200U NOy analyzer rear panel electrical connectors per the T200 operation manual.
7. Connect the pneumatic cable fittings from the analyzer rear panel (Figure 1, top) to the 501 NOy rear panel (Figure 1, center) and from Converter (Figure 1, bottom) to the 501 NOy rear panel.

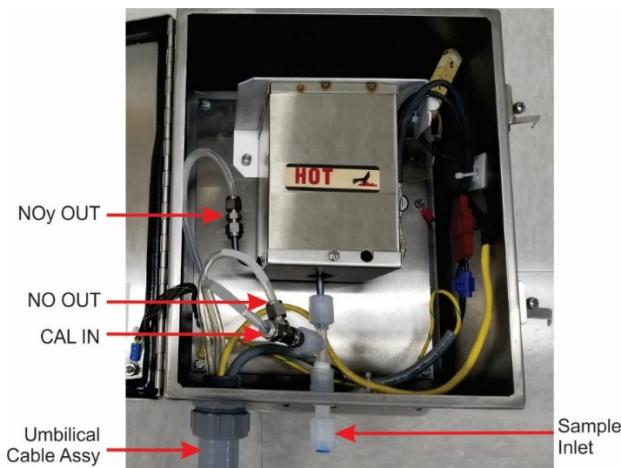
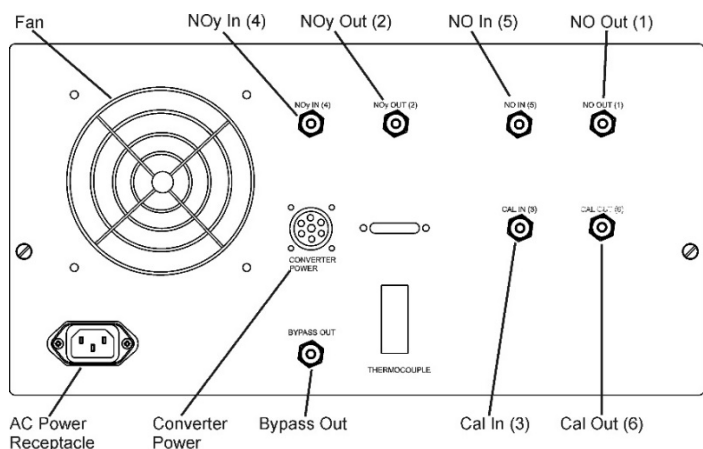
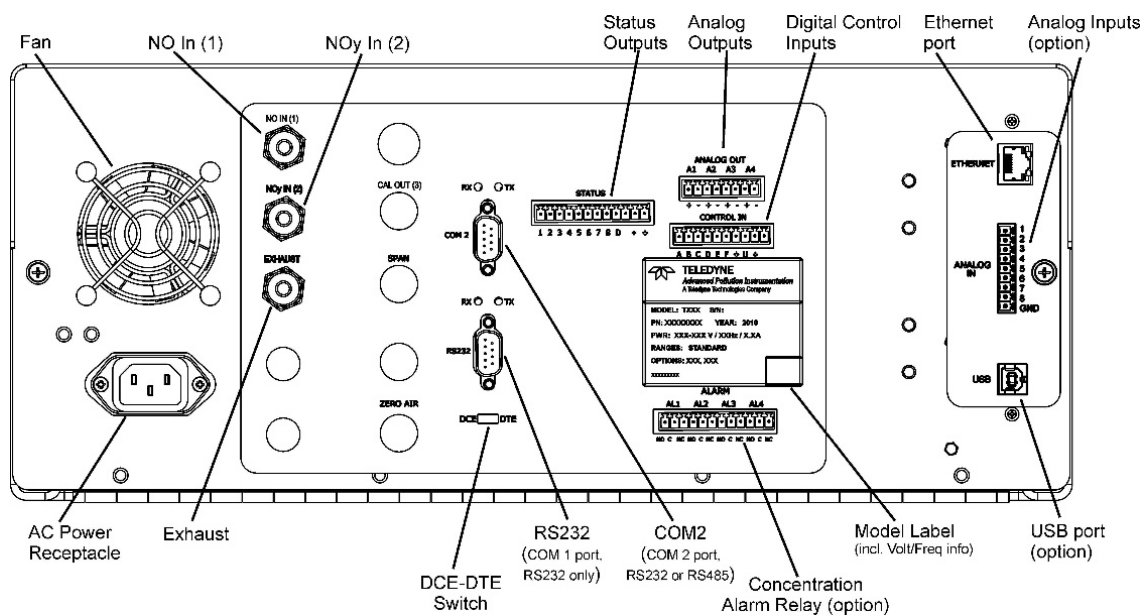
Refer to Figure 2 for an illustration of the pneumatic connections; refer to the tags on each tube to match up the correct tube with the appropriate rear panel fitting.

8. Connect the pneumatic cable fitting from the calibrator to the 501 NOy rear panel (Figure 2).
9. Also, connect the EXHAUST port of the analyzer rear panel to the external Pump.
10. Connect the circular power and signal cable from the external Converter's umbilical cable assembly to the CONVERTER POWER connection on the rear of the 501 NOy.
11. Connect the three-prong thermocouple connector from the umbilical cable assembly to the THERMOCOUPLE connection on the rear of the 501 NOy.
12. Connect the analyzer and 501 NOy AC power cords from their AC power receptacles to the correct line voltage (refer to power specs on the respective rear panel label).



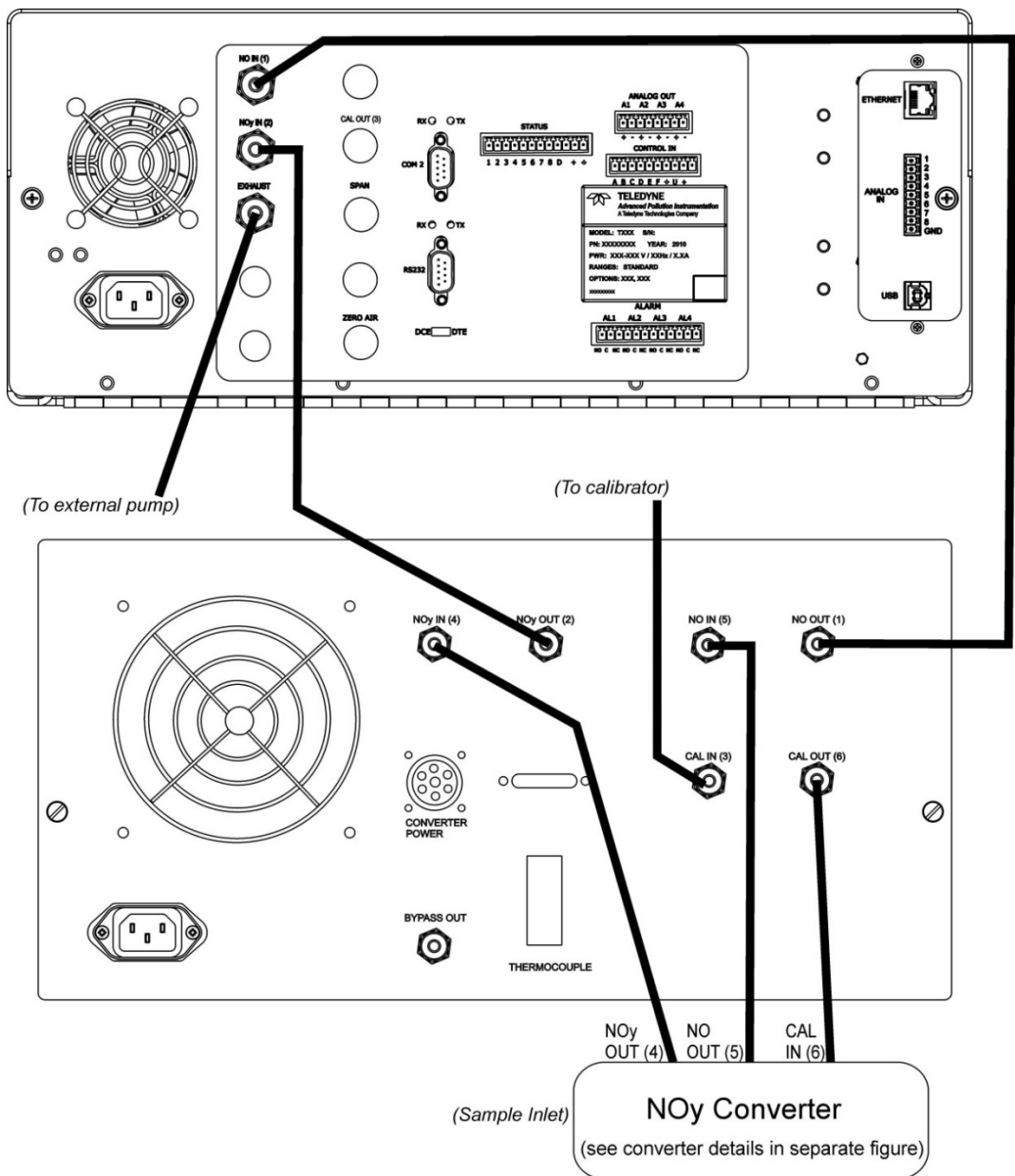
**WARNING!**

- Lethal voltages are present inside the chassis.
- Do not operate with cover off during normal operation.
- Before operation, check for correct input voltage and frequency.
- Do not operate without proper chassis grounding.
- Do not defeat the ground wire on power plug.
- Turn off power before disconnecting electrical subassemblies.



**Figure 1. Rear Panels: T200U NOy Analyzer (top) and 501 NOy Pump Pack (center); NOy Molybdenum Converter Assembly (bottom)**





**Figure 2. Rear Panel Pneumatic Connections**

Pneumatic tubes and rear panel labels include numbers to facilitate matching connections between instruments.

Calibrator	<b>CONNECTIONS: Analyzer to Pump to Converter and Calibrator to Pump</b>		
	<b>Analyzer</b>	<b>Pump Chassis</b>	<b>Converter</b>
	NO IN (1)	NO OUT (1)	
[cal gas out port]	NOY IN (2)	NOY OUT (2)	
		CAL IN (3)	
		NOY IN (4)	NO OUT (4)
		NO IN (5)	NOY OUT (5)
		CAL OUT (6)	CAL IN (6)

### 3.3 Initial Operation

If you are unfamiliar with the T200U NOy analyzer, we recommend that you read the principles of operation in Section 4 of this operation manual before proceeding.

1. After confirming proper supply voltage, turn on the power to the analyzer and to the 501 NOy pump pack, and plug in the external Pump.
  - The front panel displays should immediately light as the instruments start up.
  - The 501 NOy requires about 30 minutes for the external Converter to come up to operating temperature.



#### Caution

**The internal Converter components will become extremely hot and must be allowed to cool after power-off before being touched.**

- The T200U NOy requires about 30 minutes for the ozone generator to start up. During that time the instrument will not respond to span gas.
  - After 30 min, the display on the 501 NOy front panel should read 315°C, indicating that the external Converter is at operating temperature.
  - Follow the instructions in the T200 Manual and the T200U Addendum to confirm proper operation of the analyzer.
2. Proceed to Section 5 of this T200U NOy manual to perform a Zero/Span check.

## 4 PRINCIPLE OF OPERATION

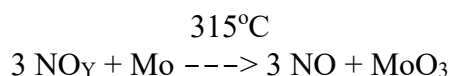
The TAPI Model T200U NOy is designed to measure the concentration of NO, NO<sub>2</sub>, and other compounds that are too unstable to be measured when taken in through the normal ambient air sample inlet system. Please refer to the T200U manual supplied with this system for a general discussion of the operation of a NOx analyzer. The suite of compounds known collectively as NOy is composed of roughly 30 compounds. The NOy measurement is generally done in conjunction with a standard NOx measurement, with the difference between the two being the concentration of the unstable compounds, sometimes referred to as NOz.

The analyzer measures two independent gas streams. One bypasses the external Converter and measures NO in the sample. The other pulls the sample through the external Converter and is displayed as NOy. Under normal calibration conditions the NOy measurement is equivalent to the delivered NOx calibration gases.

The system is composed of four modules:

- The T200U NOy analyzer, without a molybdenum converter
- A 501 NOy Bypass Pump containing:
  - bypass pump
  - flow control
  - sample filtration
  - moly temperature control
  - pneumatic provisions for calibration
- Externally mounted molybdenum converter (external Converter)
- External Pump

The T200U NOy system allows the point of sampling to be located in close proximity to the Converter. This configuration provides minimal time delay between the sample inlet and the remotely mounted (~10 meters above ground) external Converter. Minimizing the transit time between the sample inlet and Converter enables the conversion of labile components of NOy. The equation for the conversion is:



THIS PAGE INTENTIONALLY LEFT BLANK.

## 5 CALIBRATION AND CAL CHECKS

Unlike most NO<sub>x</sub> analyzers, the T200U NOy does not have a sample inlet port on its rear panel. The sample inlet is located on the outside of the external Converter.

The steps in this section include:

- Entering the expected NO and NO<sub>y</sub> span gas concentrations in the analyzer.
- Running the zero calibration or check procedure
- Running the span calibration or check procedure

The analyzer always routes the zero/span gas through the external Converter. In standard configuration, the calibration gas needs to be input at the CAL IN (3) port of the 501 NO<sub>y</sub> bypass pump. In all cases, the calibration gas delivered must be under a small amount of pressure (2-5 psig) to overcome the resistance of the tubing.

### NOTE

**Do not vent the Zero or Span gas to the atmosphere prior to the analyzer. The gases actually vent at the external Converter sample port.**

Calibration gas being provided to the 501 NO<sub>y</sub> bypass system also flows to the analyzer. Flow requirements are 0.80 LPM for NO bypass, 0.80 LPM for NO<sub>y</sub> bypass and 1 LPM for the analyzer. Calibration gas flow must be in sufficient excess (~4 LPM) to prevent any ambient air from entering the sample inlet of the external Converter during calibration.

The maximum 50-ft length of tubing between the 501 NO<sub>y</sub> and the remote Converter has been proven to generate too much backpressure for some brands of calibrators. Teledyne calibrators are designed to overcome this potential issue.

We strongly recommend that span calibration be done with NO span gas. Span checks can be done with one of: NO only, NO<sub>2</sub> only, or a mixture of NO and NO<sub>2</sub> (GPT).

Zero air used for all calibration procedures, including GPT, should have <1 ppt NO and NO<sub>2</sub>, less than 1 ppt of major interferents such as SO<sub>2</sub>, NH<sub>3</sub>, hydrocarbons and a dew point of -5°C or less. The calibration gasses should be from a reliable supplier, since the quality of the tank concentration values ultimately determines the accuracy of the analyzer.

### NOTE

**The T200U NOy does NOT have EPA method approval.**

## 5.1 Calibration or Cal Check Procedure

Calibration of the analyzer can be checked or adjusted using gas introduced through the CAL IN (3) port on the 501 NOy rear panel. The calibration gas is routed to a tee fitting (see CAL IN in Figure 4), near the sample inlet on the external Converter assembly.

Since the zero gas concentration is defined as 0 ppb, it is not necessary to enter the expected zero value. Table 2 details the zero calibration procedure.

**Table 2 Manual Zero Calibration Procedure**

Step	Action	Comment
1.	Press CAL	The analyzer enters the calibrate mode.
2.	Wait For Stability Type STB < 0.1 PPB	Wait for reading to stabilize at zero value.
3.	Press ZERO	If performing only Zero Cal Check, do not press ENTR, press EXIT to avoid actually zeroing the instrument.
4.	Press ENTR	Pressing ENTR actually changes the calculation equations.
5.	Press EXIT	The analyzer returns to sampling. Immediately after calibration, data are not added to the DAS averages.

**Table 3 Enter Expected Span Gas Concentrations Procedure For NO & NOy**

Step	Action	Comment
1.	Press CAL>CONC>NOy	This menu sequence causes the analyzer to prompt for the expected NOy concentration. Enter the NOy span concentration value by pressing the applicable touchscreen buttons to set the expected value.
2.	Press ENTR	ENTR stores the expected NOy span value.
3.	Press CAL>CONC>NO	Now enter the expected NO span concentration as in step one.
4.	Press ENTR	Pressing ENTR stores the NO span value and returns the prompt to the CONC menu.
5.	Press EXIT	Returns instrument to SAMPLE mode.

If desired, compensation for converter efficiency (CE) can be included in the NOy concentration calculation. Prior to calibration, the converter efficiency should either be set to 1.0 or determined per the procedure in the T200 manual.

**Table 4 Span Calibration Procedure**

<b>Step</b>	<b>Action</b>	<b>Comment</b>
1.	Press CAL	The analyzer enters the calibrate mode.
2.	Wait For Stability Type STB < 2 PPB	Wait for reading to stabilize at span value.
3.	Press SPAN	If performing only Span Cal Check, do not press ENTR, press EXIT to avoid actually spanning the instrument.
4.	Press ENTR	Pressing ENTR actually changes the calculation equations and causes the instrument to read the NO and NOy span concentrations.
5.	Press EXIT	The analyzer returns to sampling. Immediately after calibration, data are not added to the DAS averages.

THIS PAGE INTENTIONALLY LEFT BLANK.



## 6 MAINTENANCE

### 6.1 Maintenance Schedule

The schedule for preventative maintenance is presented in Table 5 below.



**Table 5 Preventative Maintenance Calendar**

Item	Maintenance Interval
Zero/Span Calibration	Annually or after maintenance or repairs
Zero/Span Checks	Daily
Particulate Filter	Weekly / as needed
Ozone Flow	Check every year and replace o-ring and orifice in reaction cell
Ozone Dryer Filter-DFU	Replace every year
Reaction Cell Window	Clean annually or as necessary (refer to T200 Manual)
Sample Flow	Check every 2 months
Converter	Check efficiency every 2 months
Pneumatic Lines	Check every 3 months
Factory Calibration	Calibrate each year or after repairs
Leak Check	Check every 6 months
Replace bypass flow orifices	Every year / as needed
Rebuild 501 NOy bypass pump	Every year (check part number on pump label)

## **6.2 Replacing the Sample Particulate Filters**

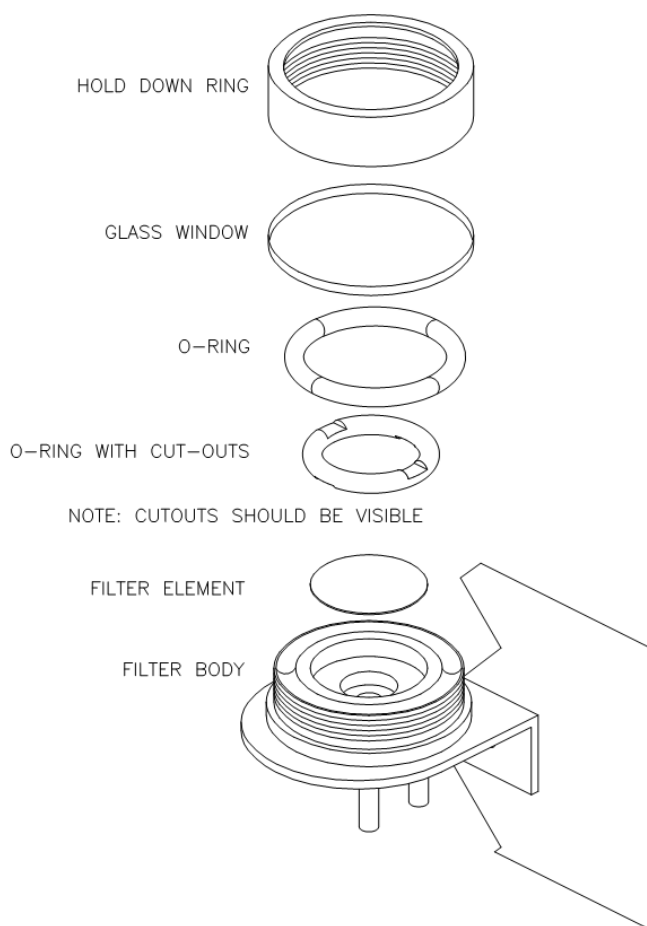
The particulate filter should be inspected often for signs of plugging or contamination. It is also common for dirt particles to cause instrument drift, and affect accuracy.

To check and change the filter:

1. Fold down the 501 NOy front panel.
2. Locate both filters on the left and right side of the 501 NOy front panel. See Figure 3 for an exploded view of the filter assembly.
3. Visually inspect the filter through the glass window.
4. If the filter appears dirty, unscrew the hold-down ring, remove the Teflon o-ring and then the filter.
5. Replace the filter, being careful that the element is fully seated in the bottom of the holder. Replace the Teflon o-ring (refer to Figure 3 for orientation of o-ring with cutouts), then screw on the hold-down ring and hand tighten. Do not overtighten; this can cause the glass window to crack!

### **NOTE**

**Handle the filter assembly wetted surfaces (glass window, Teflon holder) as little as possible and clean with cloth prior to assembly**



**Figure 3. Replacing the Particulate Filter**

## 6.3 Checking Analyzer Flow Rate

The External Pump is capable of maintaining the analyzer reaction cell pressure at less than 5.0 In-Hg-A. If a higher pressure is noted, the Pump may need servicing. Check the Pump and pneumatic system for leaks or rebuild the Pump.



### CAUTION!

Never operate the analyzer without the ozone destruct component properly seated and connected within the pneumatic path. The ozone destruct, which is heated, is integrated into a metal enclosure, at the exhaust of the reaction cell, inside the instrument.

The sample flow as measured at ports NO IN (1) and NOy IN (2) at the rear of the analyzer should be  $1000 \pm 100$  cc/min.

See Figure 1 for component locations.

## 6.4 Replacing the Converter

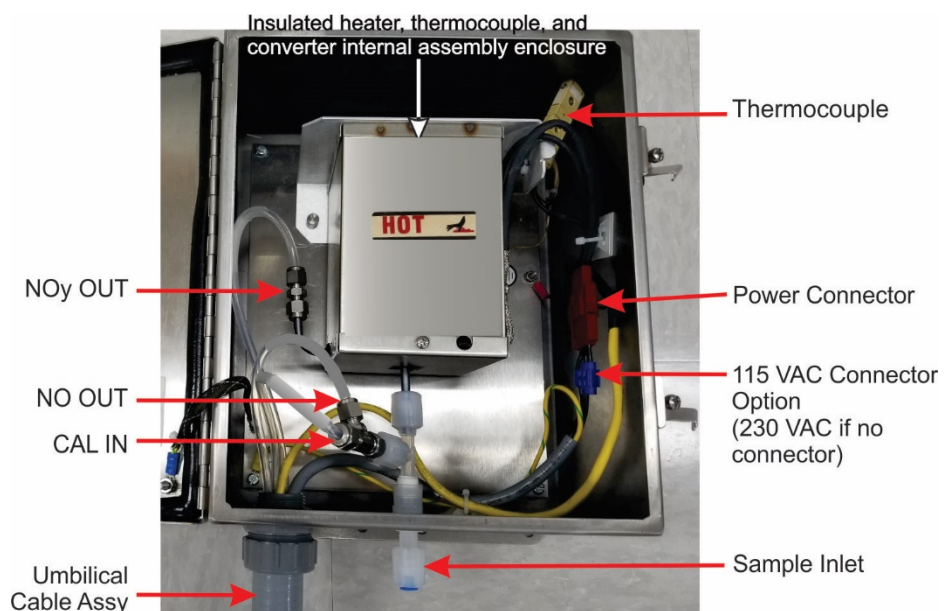
The heater, thermocouple, and converter interior assembly is designed to be replaced as a single unit. Check Figure 4 for the assembly location.



### CAUTION!

The converter operates at 315°C. Severe burns can result if not enough time is allowed for the assembly to cool. Do not handle assembly until it is at room temperature.

1. Turn off the power to the 501 NOy at its front panel ON/OFF switch.
2. Unplug the 501 NOy Assembly from the AC main.
3. Allow the external Converter to cool.
4. Disconnect the gas fittings, the power connector, and the thermocouple to the converter (**Figure 4**).
5. Remove the interior-assembly box from the chassis by loosening the 4 captive screws that secure the assembly to the chassis.
6. Remove bottom bracket and re-attach it to the replacement box with interior assembly.
7. Install the box with interior assembly back into the analyzer, tightening the 4 captive screws.
8. Re-attach the electrical and pneumatic fittings. Leak check the assembly when completed.
9. Plug the 501 NOy into the AC main and power back on. (The insulation can emit a burnt odor for the first 24 hours; this is normal).
10. Allow the Converter to burn-in for 24 hours.
11. After the 24-hour burn-in, re-calibrate the instrument.



**Figure 4. NOy Converter Interior Assembly Location**

## **6.5 *Inspecting Pneumatic Lines***

Particulate matter in the pneumatic lines will affect both flow rate and response time. It is important that the pneumatic system be periodically inspected and thoroughly cleaned if necessary. Clean by disassembling and passing methanol through three times. Dry with clean zero air.

Also, inspect all pneumatic lines for cracks and abrasion on a regular basis. Replace as necessary.

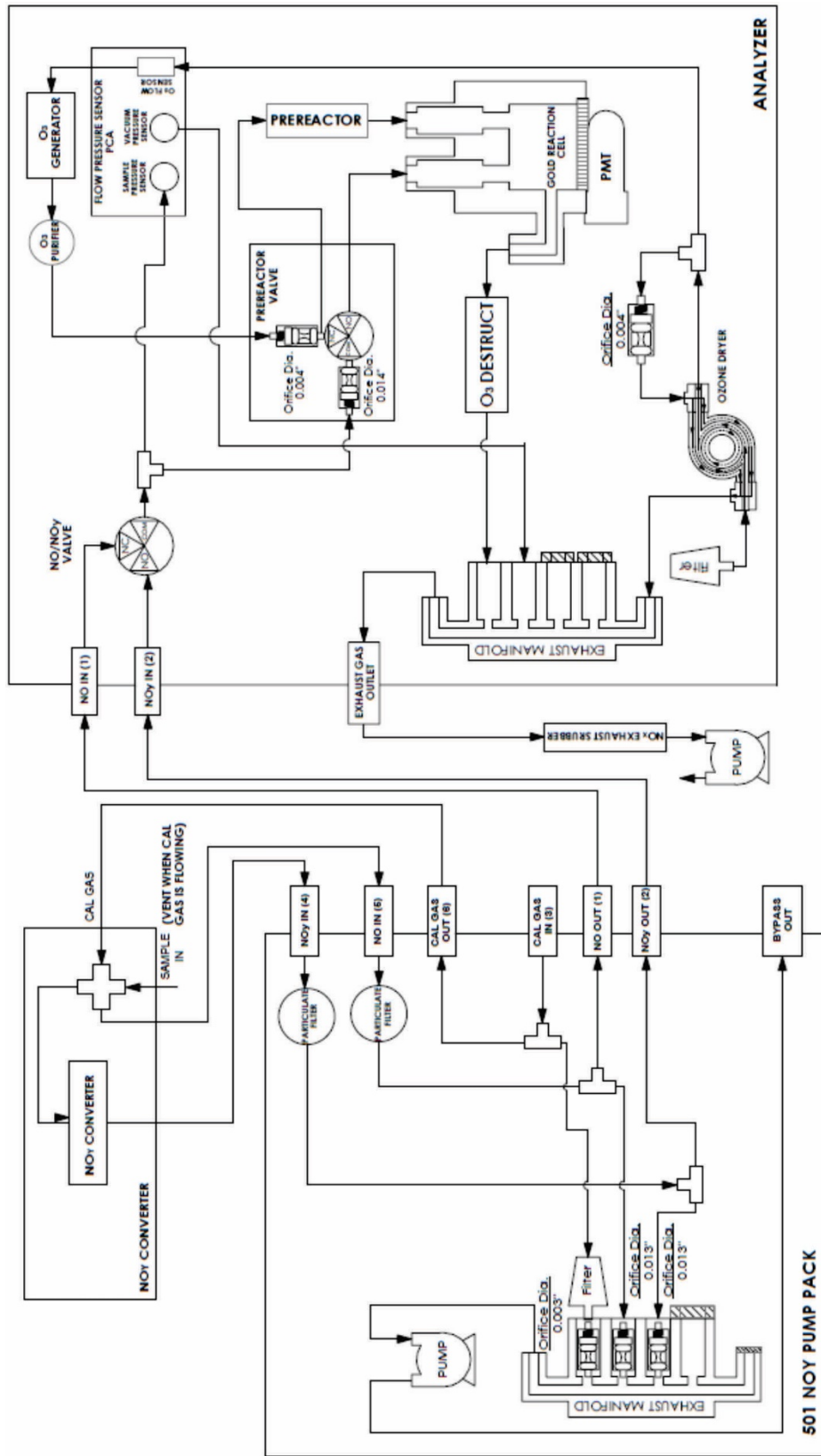


Figure 5. Pneumatics without Dual Sample Conditioner

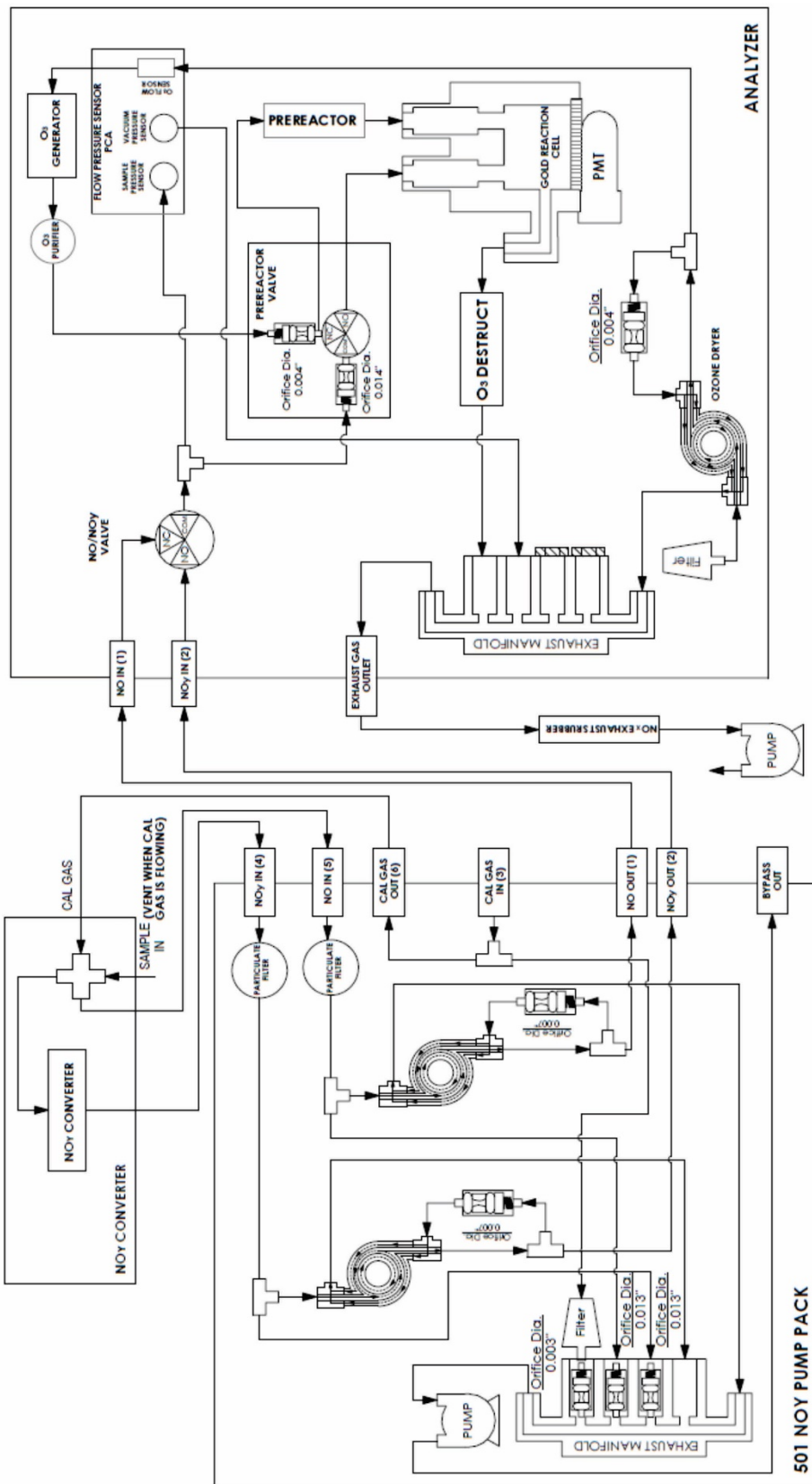
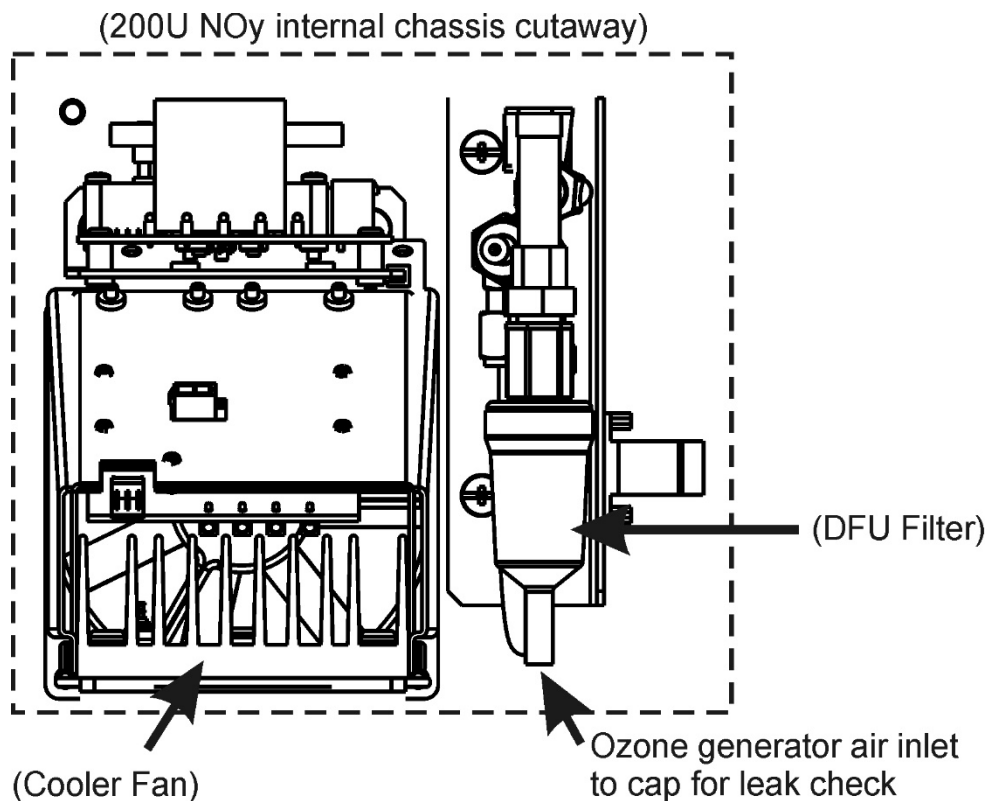


Figure 6. Pneumatics with Dual Sample Conditioner

## 6.6 Checking for Leaks

If a leak checker is not available, it is possible to leak check the instrument using the sample pump plus a shut-off valve.

1. Turn off power to the analyzer and the 501 NOy, and unplug the external Pump.
2. Cap the sample inlet of the external Converter, the BYPASS OUT port of the 501 NOy and the ozone generator air inlet (located inside the analyzer, Figure 7).



**Figure 7. Location of O<sub>3</sub> Generator Air Inlet**

3. Insert a shut-off valve between the external Pump and the EXHAUST port at the rear of the analyzer.
4. Turn on both the analyzer power and the external Pump only. Monitor the Reaction cell pressure on the front panel. Close the shutoff valve and monitor the cell pressure. The pressure should not increase more than 1"Hg (.5psi) in 5 minutes. If there is a leak, locate it by using a pressure leak checker described below.



Using a leak checker:

1. Turn off power to the analyzer and 501 NOy, and unplug the external Pump.
2. Disconnect the external Pump from the analyzer's rear panel. Cap the sample inlet of the external Converter, the BYPASS OUT port of the 501 NOy, the ozone generator air inlet (located inside the analyzer, Figure 7), and connect the leak checker to the instrument exhaust port.



**CAUTION!**

Pressure must be less than 15 PSI.

3. Pressurize the system and check for leaks by watching overall pressure. The pressure should not drop more than 1"Hg (.5psi) in 5 minutes.

If the instrument fails the pressure test, each fitting needs to be leak checked to find the location. Use a soap solution, such as snoop leak checker, for this purpose.

**NOTE**

**Be careful that the system is always pressurized so as not to draw soap solution into the plumbing system. Make sure you dry off any accumulated bubble solution. Start by checking the external fittings first.**



## 7 TROUBLESHOOTING AND ADJUSTMENTS



### CAUTION!

The operations outlined in this section must be performed by qualified maintenance personnel only!

This section of the manual contains information on diagnosing and repairing instrument performance problems.

As a guide to troubleshooting, think of the T200U NOy as two systems: pneumatics and electronics.

- **Pneumatics** - Over 50% of all instrument problems are traced to pneumatic leaks. Suspect a leak first.
- **Electronics** – External Converter temp control unit or DC power supply for the converter temperature readout.

Another trouble-shooting tip has to do with incorrect span gas concentration:

- This could come either from the calibrator itself or from incorrectly entering the expected span gas concentration in the instrument.
- If the instrument does not respond to span gas, check troubleshooting section in the T200 manual.

The above should get you started in diagnosing and repairing the most common faults. If these reasons have been eliminated and there are still problems with the unit, the next thing to do is a Factory Calibration covered in the T200 manual. If difficulties persist, contact our service department.

### 7.1 Operation Verification – Diagnostic Techniques

This section provides guidance on diagnosing some possible problems.

#### 7.1.1 Pneumatic System

Refer to Figure 5 for a diagram of this system's pneumatics, to be used in conjunction with diagnostics and troubleshooting.

#### 7.1.2 Leak Check

Refer to Section 6.6 for the leak check procedure.

#### 7.1.3 501 NOy Bypass Pump Diagnostic Procedures

The 501 NOy bypass pump is capable of maintaining a total bypass flow rate of ~2.2 lpm. If flow checks indicate a fall off in bypass flow, the pump may need servicing. Check the pump, inlet fittings, and analyzer for leaks first. If other causes have been eliminated, rebuild the pump.

### 7.1.4 Electrical Fault Isolation

AC mains power is supplied to the:

- bypass pump
- input power to the converter temperature controller
- output power to converter box

Referring to Figure 9, check the AC mains supply voltage to each of these components.

The converter temperature is monitored and adjusted as needed by the controller located on the 501 NOy front panel. The controller cycles power to the external converter, thereby maintaining the temperature at 315 °C, using the solid state relay.

## 7.2 Setting the Converter Temperature

A front panel-mounted programmable controller maintains the temperature of the remote external Converter. By pressing the PV/SV button in the lower left corner of the controller, you can see the Present Value (actual temperature) or the Set Value (temperature set point). The temperature and PID (proportional, integral and derivative) control parameters have been set at the factory and no further adjustment should be necessary.

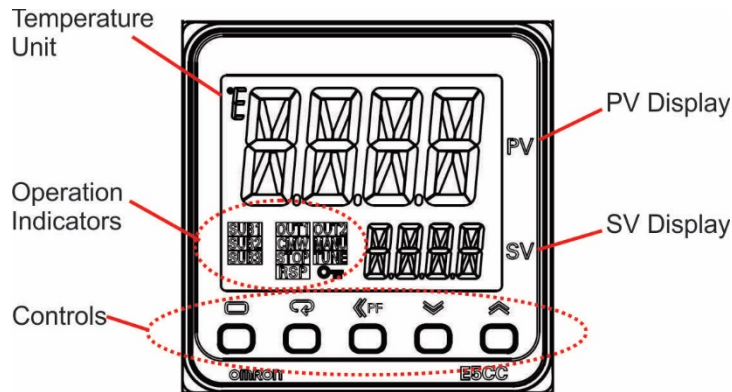


Figure 8. Converter Controller Panel

Should the temperature need to be adjusted, follow these steps:

1. Press and hold + for at least three seconds to unlock the controller.
2. Press to begin adjusting the temperature set point.
3. Press (increment button) to increase the value or the (decrement button) to decrease the value.
4. Press to move to the next digit.
5. Repeat Steps 2-4 as needed to set the desired temperature.
6. Press to accept the newly set value.
7. Press and hold + for at least one second to exit and re-lock the controller.

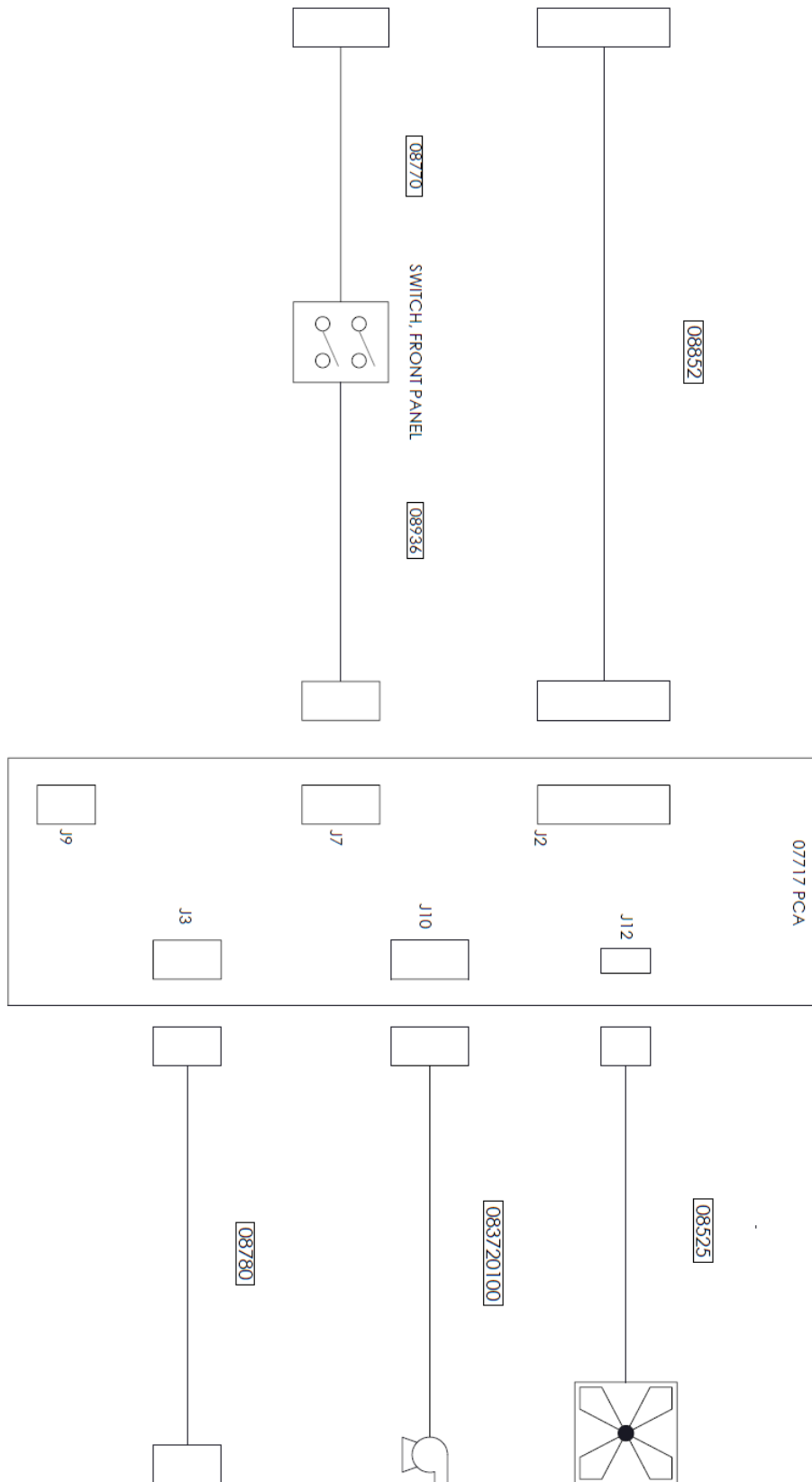


Figure 9. 501 NOy Electrical Diagram

