



**TELEDYNE API**

9970 Carroll Canyon Road

San Diego, CA 92131

Tel: +1 858.657.9800

Email: [api-sales@teledyne.com](mailto:api-sales@teledyne.com)

Web: [www.teledyne-api.com](http://www.teledyne-api.com)

# **Filter Replacement Kit AC Generator, Wall Mount**

## **User Manual**





**Purpose of Filter.** The flow of cooling air into the AC Generator is critical for optimal generator of Ozone. High Temperatures inside the generator limit the ability of the generator to produce economic quantities of Ozone.

The Filter is designed to prevent small particles from entering the generator while permitting cooling air to pass.

The Filter will not prevent large obstructions from blocking the flow of cooling air (for example, a sheet of paper).

The Filter is installed only on the intake side of the Generator – on the right when facing the generator.

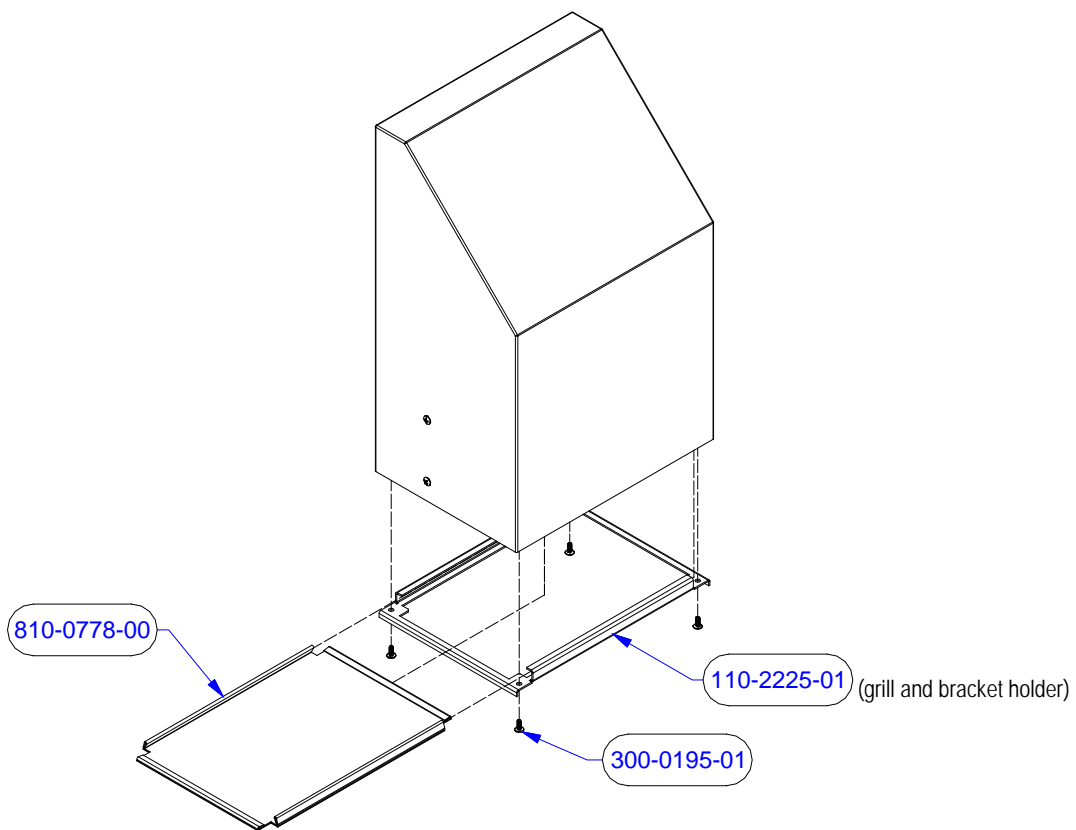
The Filter also prevents adventurous and curious fingers from being harmed by the fan blades.

**CAUTION. When changing the Filter, turn off the power to the AC Generator. If this is not possible, extra care is needed to prevent hands, sheets of paper (like this one) and other objects from entering the intake side of the Rain Guard.**

Procedure. Refer to the picture and diagram for additional information.

1. Turn off the power to the AC Generator.
2. Remove four screws from the retaining ring.
3. Carefully lower the filter assembly.
4. Slide out the old filter.
5. Slide in the new filter.
6. Reattach the filter assembly, in reverse order. Additional screws are supplied, if needed.
7. Responsibly dispose of the old filter.
8. Return the AC Generator to service.

End of Procedure.



Filter Kit 870-0101-01  
(Includes four replacement filters)  
Replacement Filter 810-0778-01  
Mounting Screws (4) 300-0195-01